

GB50 12V **1500A** | **7.0L** **4.5L**
Lithium Gas Diesel

Lead Acid
Wet Gel MF EFB AGM
Auto | Marine | RV | Powersport | Lawn & Garden

NOCO BOOST[®] XL[™] JUMP STARTER



START DEAD BATTERIES.[™]

Diesel Cars, SUVs, Boats, Motorcycles, ATVs, Trucks & More.

UltraSafe, ultra-compact, rugged, and portable lithium-ion jump starter. Features spark-proof technology and reverse polarity protection. Instantly jump starts most single-battery applications, up to 30 times on a single charge. Ideal for a wide range of vehicles including small diesel cars, trucks and engines up to 7.0L Gas and 4.5L Diesel.



SPARK PROOF.

Safely connect to any 12-volt car battery with our mistake-proof design featuring spark-proof technology and reverse polarity protection.

JUMP START. 30X

Full power to jump start a vehicle up to 30 times in one charge. Compatible with engines up to 7.0L gas and 4.5L diesel.

USB CHARGE & RECHARGE.

It's internal battery can be used to recharge any personal mobile devices like smartphones, tablets, or any other USB device, and can be recharged by any powered USB port.

200 LUMENS. 4X LED

The GB50 portable car battery jump starter integrates with a high-output 200 lumen LED flashlight with 7 light modes: low, medium, high, flashing, strobe, and emergency SOS.

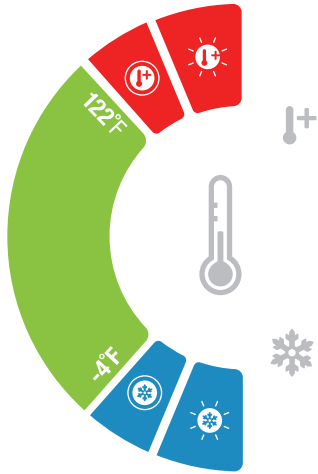
NOCO
30339 Diamond Parkway, #102
Glenwillow, OH 44139 | USA
1.800.456.6626

no.co

NOCO[®]

ADVANCED PROTECTION.

Designed to protect your device.



Hot LED indicator. Designed to indicate when internal battery approaches high temperatures.

- **Solid Red.** Unit is fully operational, but approaching upper temperature limit.
- **Flashing Red.** Unit is too hot to jump start, but other functions are still available.

Cold LED indicator. Designed to indicate when internal battery temperature is too cold to operate.

- **Solid Blue.** Unit is fully operational, but approaching lower temperature limit.
- **Flashing Blue.** Unit is too cold to jump start, but other functions are still available.

❗ **Error LED.** Illuminates Red if reverse polarity is detected.

❗ **Manual Override.** Is a special feature designed for rare situations when a vehicle's battery is below 2-volts. Simply press and hold the manual override button for 3 seconds, until the Boost LED starts flashing, to enter into the mode. Press the button again (Or the power button) to exit Manual Override. This mode should be used cautiously, as Manual Override disables safety protection while enabled.

NOCO Patented Technology
Patented: visit no.co/patents

Recharge Unit from any USB or 12V port.



USB 2.1A
Charge virtually any USB device, including Smartphones and Tablets.

Technical Specifications

Internal Battery:	35 Watt-Hour Lithium Ion	Housing Protection:	IP65 (w/ Ports closed)
Peak Current Rating:	1500A	Cooling:	Natural Convection
Operating Temperature:	-4°F to +122°F (-20°C to +50°C)	Dimensions (LxWxH):	8.6 x 3.4 x 1.9 in
Charging Temperature:	32°F to +104°F (0°C to +40°C)	Unit Weight:	1.65 lbs
Storage Temperature:	-4°F to +122°F (-20°C to +50°C)	Unit Weight w/Clamps & Accessories:	2.71 lbs
Micro USB (Input):	5V, 2.1A	LED Flashlight Brightness:	100 Lumens
USB (Output):	5V, 2.1A		

Recharging a GB50 (for reference, results may vary)

USB Charger Rating	Charging Time
.5A	18hr
1A	9hr
2A	4.5hr

What's In The Box

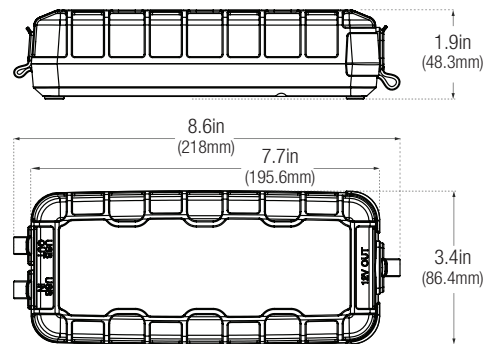
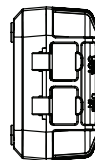
- GB50 Lithium Jump Starter
- Heavy-Duty Battery Clamps
- 12V Car Charger
- Micro USB Cable
- Microfiber Storage Bag
- User Guide

Retail Packaging:
Dimensions: 3.9"x4.7"x9.1"
Weight: 3.35lbs
UPC: 0-46221-18017-6

Inner Carton:
Dimensions: 4.1"x9.37"x5.27"
Weight: 3.51lbs

Master Carton:
Dimensions: 10.25"x13.5"x11.375"
Weight: 22.11lbs
Quantity: 6
UCC: 10046221180173

Units Per Pallet:
NA - 360 Units
EU - 234 Units



NOCO
30339 Diamond Parkway, #102
Glenwillow, OH 44139 | USA
1.800.456.6626

no.co

NOCO®